



## MTU 16V2000M84

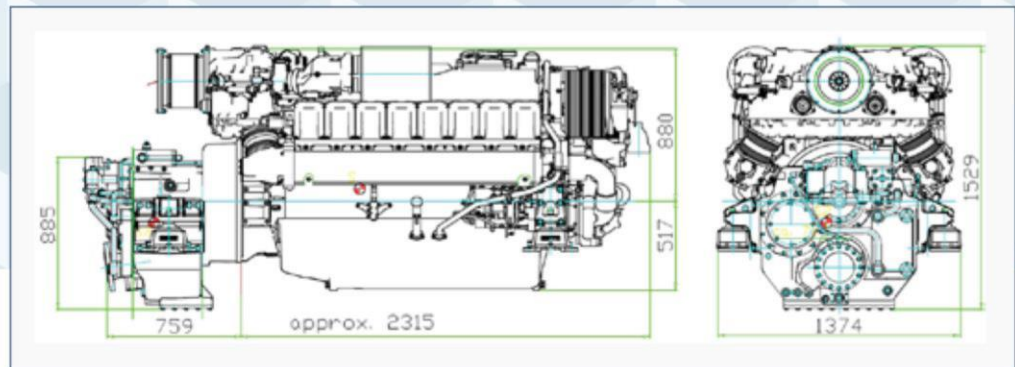
Brief Technical Specification

### Main Characteristics

<b>Engine Model</b>	MTU 16V2000M84 1650 kW @ 2450 rpm (ISO 3046) – LR class approved
<b>Engine Type</b>	16 V Angle, Liquid Cooled, 4 Stroke Diesel Engine
<b>Engine Characteristics</b>	Bore 135, Stroke 156, Exhaust Rating IMO Tier 2
<b>Gearbox Model</b>	ZF 4540A, Ratio 3.04:1, LR Class Approval, Light Duty
<b>Automation</b>	Blue Vision Propulsion Plant Automation with 1 Control/Monitoring Stand for Engine Control Room & 2 Control/Monitoring Stand for Wheelhouse. LR Classified
<b>Performance</b>	214 g/kWh, 1630kW @ 2450 rpm (+5% tolerance as per DIN /ISO 3046) (Actual Data from Bench FAT available at request)
<b>Dry Weight of Engine</b>	3,350 kg approx. (with Engine Mounted Accessories)
<b>Dry Weight Shipset</b>	9,360 kg approx.

### Engine Standard Equipment

<b>Starting</b>	24 V DC, Battery Start
<b>Aux PTO</b>	Charging Generator(80A, 28VDC, 2 Pole)
<b>Cooling</b>	Electric Coolant Unit with circulation pump
<b>Oil System</b>	Gear Driven Lube oil Pump with safety valve, Lube-oil multi-stage filter with diverter valve, LO Heat Exchanger, Auto-Oil Level monitoring sensors, Hand Pump Low pressure fuel system complete with Fuel feed pump, valves, heat exchanger.
<b>Fuel System</b>	MTU Split circuit cooling system, Coolant Pump & filter, Plate core Heat Exc. cooling Liquid Cooled, On Engine exhaust manifolds
<b>Cooling system</b>	MTU sequential turbocharging with 3 exhaust gas turbo chargers Water cooled Y exhaust pipe, Heat Insulated expansion tube for horizontal exhaust connection
<b>Exhaust System</b>	Resilient Engine Mounting
<b>Mounting</b>	Vulkan Resilient coupling
<b>Coupling</b>	Engine Control Unit (ECU), engine mounted, Engine Monitoring Unit (EMU), engine mounted Complete with necessary speed transmitters, temperature transmitters and pressure transmitters



- ▶ Condition: Brand new condition still in original packing - Zero running hours.
- ▶ Condition: Each ship set includes:
  - ▶ 2 nos MTU propulsion engines
  - ▶ 2 nos Gearboxes with reversing components
  - ▶ 1 no Blue Vision Automation System with 1 no Control/Monitoring Stand for Engine Control Room & 2nos Control/Monitoring Stands for the wheelhouse
  - ▶ 2 nos Fuel Treatment Plant
  - ▶ 1 no Ship Area Monitoring
  - ▶ Components for remote services of MTU propulsion
  - ▶ Full Lloyd's Register class
- ▶ Payments: 100% at delivery
- ▶ Warranty: Included

## Contact **Details**

**For more information please contact**

**Mr. Prakash Kumar**  
NICO International

**Email: [nicouae@nicouae.com](mailto:nicouae@nicouae.com) // [prakash.kumar@nicouae.com](mailto:prakash.kumar@nicouae.com)**

**Phone: +971 4 309 0100**

**Mobile: +971 50 6718560**